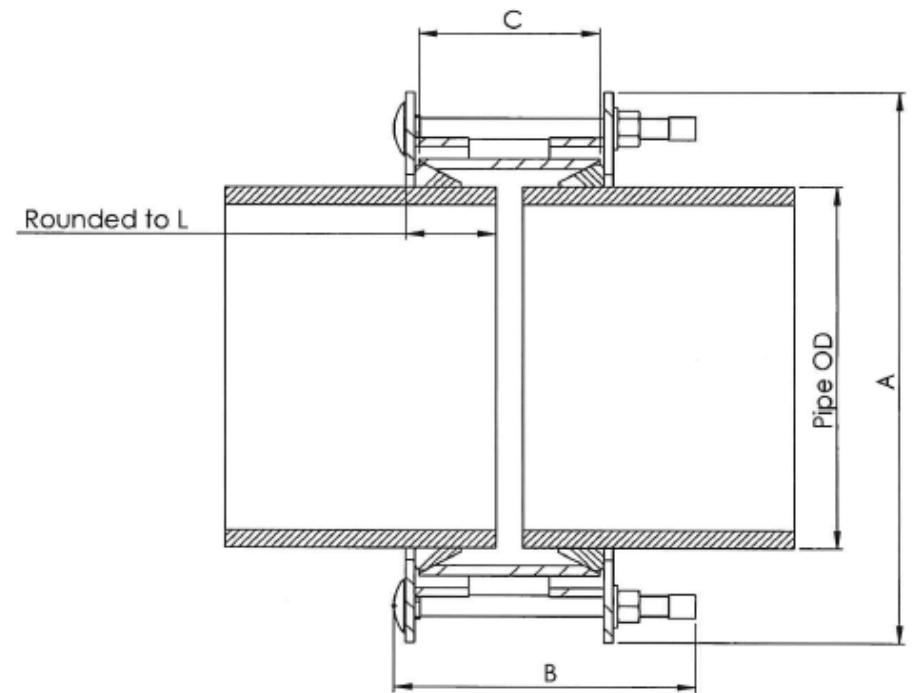
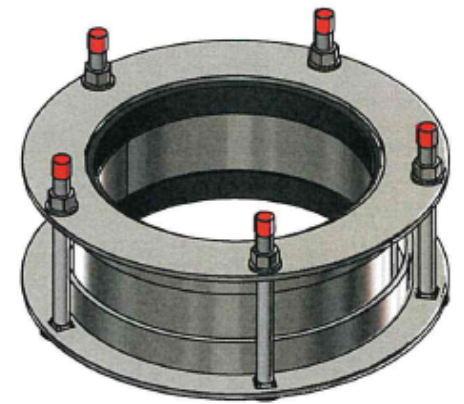


DN	Pipe OD(mm)	Tol. OD&Lenght	A	B	Sleeve C x Thickness	Bolts and nuts Qty.x Dia x length	Weight(kg)	WP(bar)
50	60.3	±0.8	89	300	200x6	2xM12x300	3.3	46
65	76.1	±0.8	155	300	200x6	2xM12x300	3.6	46
80	88.9	±0.8	153	300	200x6	3xM12x300	4.4	46
100	114.3	±0.8	178	300	200x6	3xM12x300	4.9	46
125	139.7	+1.6-0.8	228	300	200x6	4xM12x300	6.8	46
150	168.3	+1.6-0.8	256	300	200x6	4xM12x300	11.0	37
200	219.1	+1.6-0.8	313	300	200x6	6xM12x300	13.9	36
250	273.1	+1.6-0.8	370	300	200x6	6xM12x300	17.2	35
300	323.9	+1.6-0.8	421	300	200x6	6xM12x300	19.9	35
350	355.6	+2.4-0.8	452	300	200x6	6xM12x300	23.1	26
400	406.4	±1.6	503	300	200x6	8xM12x300	25.8	26
450	457.2	±1.6	554	300	200x6	8xM12x300	30.6	26
500	508	±1.6	605	300	200x6	10xM12x300	32.4	26
550	558.8	±1.6	655	300	200x6	10xM12x300	38.0	26
600	609.6	±1.6	707	300	200x6	10xM12x300	40.8	24
650	660.4	±1.6	757	300	200x6	12xM12x300	51.6	24
700	711.2	±1.6	812	300	200x6	14xM12x300	57.2	24
800	812.8	±1.6	914	300	200x6	14xM12x300	64.8	20
900	914.4	±1.6	1015	300	200x6	16xM12x300	69.2	20
1000	1016	±1.6	1117	300	200x6	18xM12x300	78.4	16
1200	1219.2	±1.6	1346	300	200x6	22xM12x300	132.1	16



**MERX TRADE B.V.**  
VALVES FOR MARINE AND INDUSTRY